

# INFORMATION PACKET



## GEORGIA LINEMAN'S RODEO

**Chehaw Park**

**Albany Georgia - May 5, 2012**



## RODEO INFORMATION

The Eighteenth Annual Georgia Lineman's Rodeo Competition will be held on May 5, 2012 at the **Chehaw Park** - 105 Chehaw Park Road - Albany, GA 31701. Teams will compete in two divisions: EMC and Electric City.

On Saturday just after lunch following the Rodeo, there will be an awards presentation at the Chehaw Park banquet hall.

Awards will be given to:

- First, second, and third place teams in each division.
- First, second, third, fourth, and fifth place teams overall.
- First, second, and third place teams for events, per division.
- First, second, third, fourth, and fifth place overall apprentice lineman.
- First, second and third place apprentice lineman in each division.
- First, second and third place apprentice lineman for events, per division.

Judges representing each division will judge the rodeo events. Rodeo teams consist of three members, two climbers and a ground person. They may also have a coach if desired. Climbers must be a journeyman lineman or meet the qualifications established by the International Lineman's Rodeo Committee. An apprentice lineman that has competed as an apprentice for four years or more cannot compete in the apprentice events. After four years of Rodeo competition as an apprentice, the apprentice must compete on a journeyman team.

A Lineman can be the ground man, but must be designated as the ground man for the Rodeo. Please contact your division rodeo coordinator for further information.

This packet is intended as an informational resource to answer commonly asked questions about the Lineman's Rodeo. It contains specification pages that may be used to build a practice line. It contains information sheets for each announced event in the Rodeo. Included is a list of common infractions for all events that judges look for.

At Chehaw Park - Registration will be Friday May 4<sup>th</sup> with Competition Saturday (8:00-12:00) May 5<sup>th</sup>. All apprentices and teams must register. **All participants need to have a picture ID for registration.** All three team members must register together.

**Teams and apprentices must have their own tools; handlines, hose bags, hand tools, wire brushes and tarp.** Teams that might be sharing some major items must register together and let someone know at registration to avoid being

scheduled for the same event together. The schedule will be drawn prior to registration.

All teams from the State of Georgia are **required to supply at least two judges** for the rodeo. All out of state teams are **required to supply at least one judge**.

**One judge required** for every three apprentices that are from one utility.

Please see Judges Registration Form for additional information.

**Required Judges Meeting will be May 4<sup>th</sup> Friday 2:00-4:00 at the park.**

All poles for the rodeo will be Penta treated 40' class 4, unless otherwise noted on event description sheet.

**Apprentice Lineman will need rubber gloves for one event in this Rodeo.**

To enter the Rodeo and register your teams, please send your registration forms and check to GLRA at:

**GLRA  
P.O. Box 4668  
Marietta, Ga. 30061-4668**

**The registration deadline is April 15, 2012.**

**You are responsible for making your own hotel reservations. GLRA will not be blocking rooms.**

There will be a special vendor show on Friday, May 4<sup>th</sup> and Saturday May 5<sup>th</sup>, 2012 at Chehaw Park. Vendors will be displaying the latest tools and equipment pertinent to Electric Utility Linemen.

Friday- May 4: Vendor Show/Registration for competitors/Judges Meeting.

Saturday-May 5: Competition & Vendor Show/Luncheon/ Awards Banquet.

\*\*\* Detailed Agenda with times will be posted on the web-site at [www.garodeo.com](http://www.garodeo.com)

The TARGET date for **Rodeo field construction** has been set for **Tuesday, March 13, 2012**. (Alternate date is April 3, 2012) All Rodeo teams are encouraged to help with the initial construction of the field on this day. Please contact **Brandon Wylie at 404-456-4837** or email [bwylie@ecoga.org](mailto:bwylie@ecoga.org) to coordinate your help in constructing the rodeo field.

Please do not grill on the Rodeo Field during the rodeo on Saturday. The smoke could be a distraction for the teams competing. Thanks for your cooperation in this matter.

Alcoholic beverages are not allowed at the GLRA awards banquet.

**Note: All events at the Georgia Lineman's Rodeo are for competition purposes only and in no way should be taken as to what a Journeyman team or an Apprentice should or should not do at their own company.**

## **Event Cancellation Policy**

The Georgia Lineman's Rodeo is sponsored and coordinated through the Georgia Lineman's Rodeo Association. GLRA is a non-profit organization that relies on participant entry fees, exhibitor sponsorships, and meal, shirt and hat orders to finance the Rodeo. Many of the expenses incurred are non-refundable to GLRA.

The Georgia Lineman's Rodeo will be cancelled in the event of prolonged Lightning, Tornados or other severe weather during the scheduled day of the Rodeo that make it impossible for safe participation. Furthermore, the Rodeo will be cancelled in the event of widespread power outages that require a **majority** of the Rodeo participants and judges to return to work.

In the event of cancellation, there will be no refunds for entry fees, sponsorships, food and/or merchandise orders. Shirts and hats that were preordered and paid for will be delivered at a later date.

The decision to cancel the Rodeo due to weather related issues will be made by the Georgia Lineman's Rodeo Association Board of Directors and communicated by every means possible.

# RODEO

## JUDGE'S SCORING INFORMATION

The GLRA Events Committee sets forth the guidelines listed on the following pages. Each event is worth a total of 100 points.

Bonus points will **Not** be awarded in the 2012 GLRA Rodeo. Places for events will be determined by combination of highest score and fastest time.

JUDGING IS BASED UPON:

- \* **Safety**
- \* **Work Practices**
- \* **Neatness and Ability**
- \* **Equipment Handling**
- \* **Timely Completion of Event**

- Time will be used as a tiebreaker only.
- Total number of events for each team = 4.
- All Safety rules are to be observed during events.
- Rubber gloves ground to ground for all pole events unless otherwise stated in event description.
- **All material sent up and down the pole will be hooked on the handline hook or inside a material bag.**
- Safety glasses are required for all events.
- Ground man must wear work gloves.
- Hard hats must be worn properly during all events.
- Long sleeve shirts are required.
- **A tool inspection will be conducted to check for safe condition and for alterations of tools such as: tapered cuts on straps, elongated holes in straps & belts, tape on straps, improper gaff length, buckles filed.**

# JUDGING GUIDELINES

**All safety rules are to be observed during events.**

## **INFRACTIONS -2- POINT DEDUCTION**

1. Loss of hard hat.
2. Not wearing safety glasses.
3. No rubber on reach, fall, or slip.
4. Dropping tools.
5. Cutout with loss of control.
6. Hot-dogging.
7. Hand line operation while team is climbing.
8. Misuse of tools.
9. Wearing hard hat backwards.
10. Twisted hand line operation.
11. Not wearing OSHA approved lineman's belt.
12. Poor housekeeping (Tools and material must be kept on tarp).
13. Exceeding the mean time to complete an event.
14. If the event mean time is exceeded by more than 2 minutes the team will be stopped and be deducted 2 additional points. Timing will continue until the event is returned to normal and both linemen are back on the ground.
15. Not wearing work gloves.
16. Pushed or rolled up shirt sleeves.
17. Being late for an event. **Once an event is completed, teams and apprentices will be given 30 minutes to arrive at their next event. Teams and apprentices will be given one 1-hour lunch break.**
18. Failure to perform an event on schedule unless approved by Master Judge.
19. ***Using unsafe tools in any event.***

## **GENERAL RULES - 10 POINT DEDUCTION**

1. Accidental contact with energized phases.
2. Working opposite energized phases.
3. Insulators being broken during an event.
4. Not using hand line or material bag for sending material up and down the pole.
5. **Ascending or descending the pole while other climber is working or un-safetied.**

## **DISQUALIFICATION**

1. Unprofessional behavior.
2. Practicing on the Rodeo field prior to the Rodeo.
3. Tampering with materials, tools or equipment on the Rodeo Field.
4. **Unapproved use** of alternates or changing status of team members during the events. See Master Judges for approved use of alternates or change in team status during Rodeo.
5. Teams and Apprentices must attempt all events to be eligible to win an event with the exception of a team or apprentice being injured the day of the rodeo. Final determination for a team or apprentice to win, that did not attempt all events, will be made by the Events committee.

## RULES FOR PROTEST

1. Protests must be submitted to the Chief Judge **BEFORE** the competitor exits the event.
2. Protest must be made on the **official protest form** to the Chief Judge for that event and resolved before leaving event location. (Protest forms will be at each event)
3. If the Chief Judge denies the protest, an additional two-point deduction will be applied to the score on that event.
4. Protest may be appealed to the Master Judges. If the Master Judges rule in favor of the team/apprentice the two-point deduction for the protest will be removed. However, if the Master Judges uphold the decision of the Chief Judge the two-point deduction will remain and an additional two-point deduction will be applied.

## General Judging Guidelines

- Teams and apprentices will have a **5 minute set-up time to prepare tools and also ask any questions they may have for the judge**. If the team or apprentice is not ready at the end of the 5 minute set-up time, the event time will begin.
- Climbers may assist each other with safety straps while re-positioning (1 or 2 steps) only.
- Blanket pins, small material (clamps, tie wire etc.) and small hand tools may be carried up in the lineman's ditty bag (no insulators, big bolts or items that may be dropped and injure someone) **unless otherwise noted on individual events**.
- The 1<sup>st</sup> climber must carry the handline, one climber must descend the pole to the ground before the handline is dropped and the climber who drops the handline must signal the groundman (yell headache) before dropping the block.
- The handline may be placed just above the neutral clevis before the neutral is covered, however the climber shall not contact the **uncovered** neutral with **unprotected** parts of the body.
- All tools and material must be sent up and down with handline or drop line.
- It is permissible to drop a tag line to the ground from the pole, as long as the climber signals the groundman.
- It is permissible to lower rope blocks to the ground with its own rope.
- Material or tool bags may be suspended or hooked onto the bottom of the handline block.
- Brush/incidental contact of a **covered** neutral with **unprotected** parts of the body is **not** a deduction.
- Brush/incidental contact of a **covered** primary with **unprotected** parts of the body is a deduction.
- Hot Sticking Events; the climber **cannot** encroach inside the minimum approach distance on the hot stick with rubber gloves.
- Climbers **cannot** encroach inside the minimum approach distance (26 inches) of uncovered primaries that are not being worked with unprotected parts of the body, whether it be sticking or gloving events. The only permissible encroachment is with rubber gloves.
- Working opposite energized phases at the same time is not allowed, whether it is with sticks or gloves.

- Climbers shall not work on the ground with their climbing tools on. **Climbing tools are defined by the Event Committee as HOOKS/CLIMBERS ONLY. Body belts are not considered climbing tools.**
- Gaffs must be protected with gaff guards outside the 10 ft. circle.
- If material or tools come off the tarp and the groundman places it back on within 10 seconds, this is not a deduction.
- It is permissible for the handline and ropes to come off the tarp and remain there.
- All team members and apprentices must wear work gloves while working on the ground.
- The team or apprentice should check the working condition of all material and tools provided during the set-up time.
- The groundman cannot work directly under a climber who is ascending or descending the pole.
- The groundman cannot stand under a suspended load such as a crossarm.
- Material and tool bags cannot be loaded before time starts, bags do not have to be unloaded before time stops. (Must be unloaded before leaving event site)
- A climber may assist the groundman pulling rope blocks, or a handline for raising or lowering heavy material.
- Every electrical connection must be wire brushed unless otherwise noted.
- The tie wire can be cut in the set-up time.
- The tie wire cannot be made up in the set-up time.
- Homemade devices used to hold primary cover upright are allowed, but **must** be 10 ft. from the pole and subject to Chief Judge's discretion.
- Insulation shavings falling from the pole are not a deduction.
- Channel locks may be used as a holding tool only.
- **No ascending or descending the pole while other climber is un-safetied, working, or if handline is in operation.**
- When an event begins and ends with both climbers or the apprentice back on the ground, the following will apply: Event times will start when the first climber's gaff is placed into the pole to begin their climb. Event time will stop when the last man down has one foot on the ground (earth).
- **In the event a team or an apprentice uses full fall arrest or the hitch-hike method, the fall arrest/safety can be placed around the pole prior to time starting.** Time will also start when the first climber's gaff is placed into the pole, and time will stop when the last man down has one foot on the ground (earth). However, the fall arrest/safety does **not** have to be removed from around the pole for time to stop.

## JOURNEYMEN EVENTS

### Four Competition Events

1. Hurtman Rescue **\*THIS EVENT HAS CHANGED\***
2. 10' Wooden cross-arm change out (4 kV)
3. A-3 suspension bell change (25 kV)
4. 5' Steel cross-arm change (Dead & Grounded)

## APPRENTICE EVENTS

### Four Competition Events

1. Written Test
2. Hurtman Rescue **\*THIS EVENT HAS CHANGED\***
3. Neutral Clevis change (Dead & Grounded)
4. A-3 Bell and Armor-rod Installation

# JOURNEYMAN EVENT – 2012

## **Hurtman Rescue**

### **Mean Time: 4 minutes**

This team event will be run one time with all three team members participating to rescue the hurtman. Teams have 5 minutes to set up and ask questions. The switch (cutout) feeding the transformer must be opened before the climber can step onto the pole. It will be opened from the ground using an extendo stick and rubber gloves. The stick must be off the ground and the body anytime it is touching anything energized. The climber must wear rubber gloves ground to ground. Lineman will split handline and loop bottom part of handline around mannequin's legs. Then take the top part and wrap around the pole a minimum of one and a half wraps, take the rope under mannequin's arms and tie three half hitches (the splice cannot be part of the knot). The mannequin can then be lowered to the ground while the third member of the team uses the bottom part of handline tied to the mannequin's legs to pull mannequin on to the tarp. You must attempt to keep the mannequin off the pole and hardware. There will be **NO** gigs for incidental contact of the mannequin on the pole or neutral. The mannequin must land with all of his body on the tarp provided, and he must hit the ground gently as if a real person. Teams will provide their own tarp and place it 5' from pole centered under switch. A video will be posted on [www.garodeo.com](http://www.garodeo.com) to give competitors an idea on how to do this event.

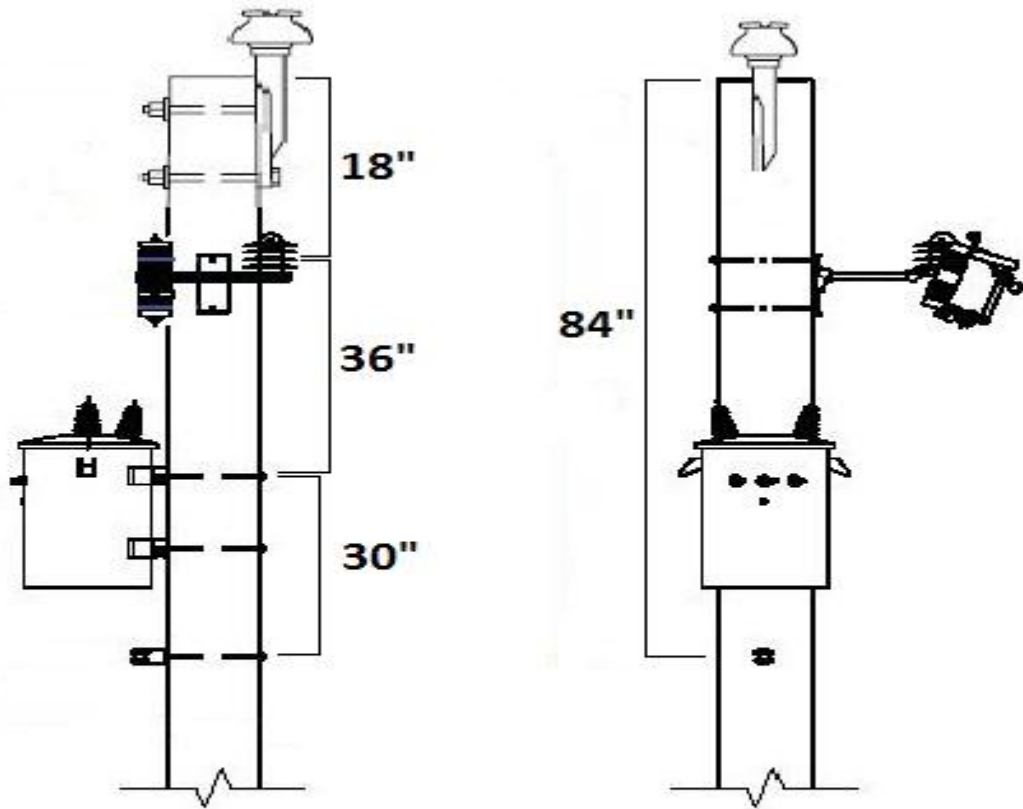
### Event Specifications

- Time starts at judges signal with all team members at least an arm's length from pole and extendo stick.
- All rubber gloves will be in glove bag cuffs down with no fingers protruding.
- Lineman's belt and hooks will be on the ground opposite the switch side of the pole.
- Extendo stick will be lying flat at on tarp fully retracted.
- All three team members must be used.
- One must climb, one must open switch, and one must tag the mannequin.
- Time will stop when mannequin is on the tarp with slack on the handline and extendo stick is fully retracted and back on tarp.
- Climber will stay on pole and help hang mannequin.
- Team will close switch back after time stops. Any team member can close it back and work gloves can be used.
- You must use the eye to open and close switch.
- When time starts extendo stick will be lying flat on tarp and must be back on tarp fully retracted before time will stop.
- Rubber gloves or work gloves must be worn anytime you are working or handling tools and equipment.

- You must cut the Bashlin 57-A insert. There will be a 10 point deduction for cutting the belt in the wrong place.
- The blade of the climber's knife must not be exposed while climbing.
- Judges will use a 4" PVC conduit between the rope and the mannequin to evaluate the rope knot, the eye splice cannot be in any part of the knot.
- You may use any standard knot or hitch on the mannequin's legs that can be easily removed. (including placing the rope through the hook, but it must not come off)

***Teams will provide their own:***

- Extendo Stick
- Tarp



- **Mannequin will hang from the top hanger of the transformer under the T-bracket.**

# JOURNEYMAN EVENT - 2012

## **10' WOOD CROSSARM CHANGE OUT**

### **Mean time:**

This is a 4kv event which requires the replacement of a 10' wood cross-arm on a C-1X structure (see spec. page). Teams will replace the bottom arm on the structure with a new cross-arm. All other material will be re-used.

- Phases must be tagged out to preinstalled anchors.
- On the anchor: A minimum of 2 half-hitches must be tied on anything used to secure phases
- Anchors will be 20' from base of pole.
- Reach, slip, fall and all minimum approach distances must be maintained at all times.
- All phases must be secured at all times.
- Neutral does not need to be covered
- Brace will be a 36" heavy duty wood brace attached to the pole using a machine bolt.
- Top arm must be secured before bottom arm is removed.

### Material Provided:

- 10" wood cross-arm



## JOURNEYMAN EVENT – 2012

### **POLYMER BELL CHANGE (25 kV)**

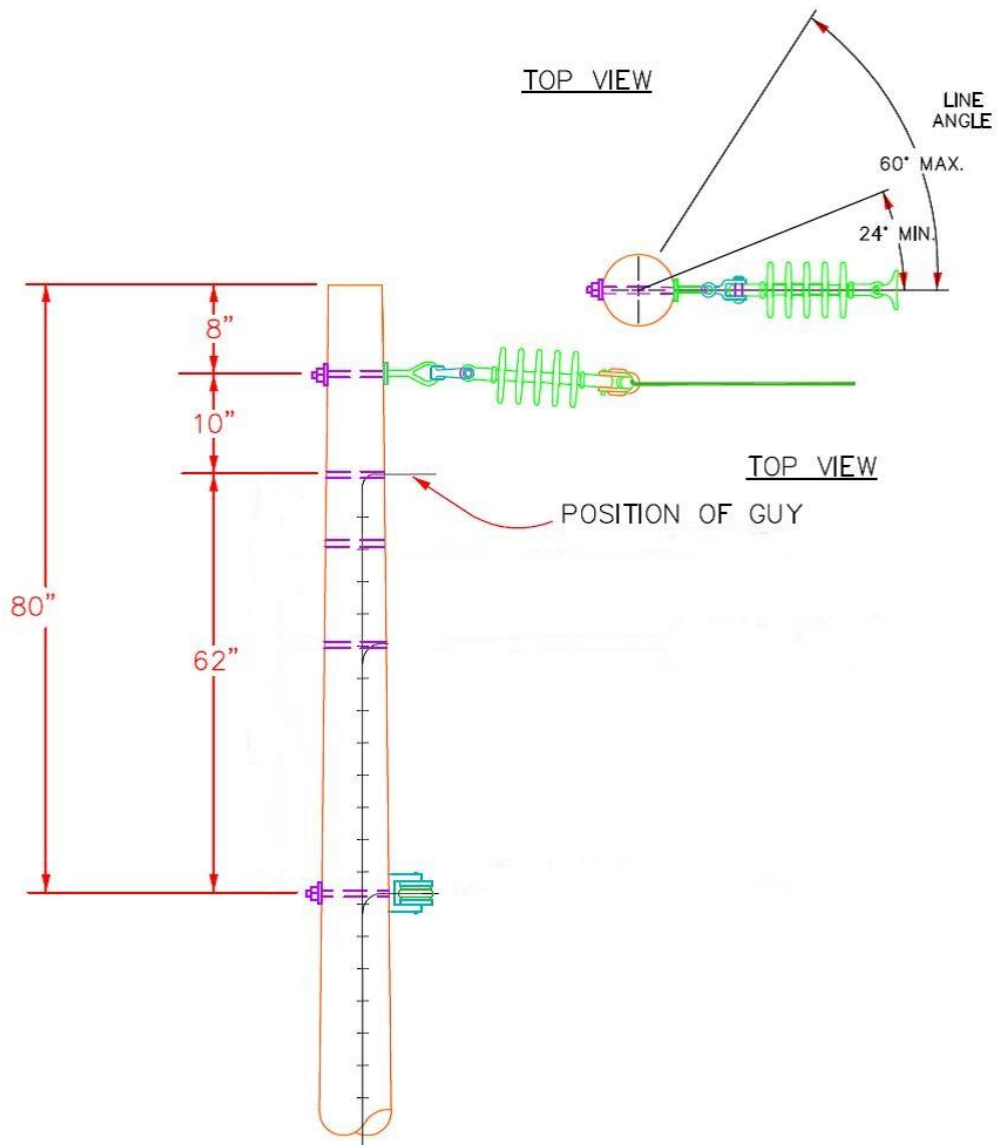
#### **Mean time:**

This event will consist of changing out a polymer bell with hot sticks on a single phase suspension angle structure (A-3).

- A web hoist will be used to gain slack in primary wire
- Collar rope or sling must be used around the pole
- Hoist must remain isolated from pole using an approved insulated link
- Bell can be put in climber's tool bag from the neutral to the primary position only.
- Climbers must maintain M.A.D. at all times and have positive control of primary at all times.
- Hoist cannot come in contact with any part of the uncovered body while attached to the primary (including strap).

#### Material Provided:

- 25 kV polymer bell (Hubble Power Systems part # 4010250215)



**24° - 60° LINE ANGLE**

**STANDARD CONFIGURATION,**  
**VERTICAL SUSPENSION**

NOTE:  
MINIMUM DISTANCE FROM LOWEST  
PRIMARY TO NEUTRAL POSITION IS 36"



REVISIONS JULY, 2002  
JANUARY, 2007

**A3**

DATE: OCTOBER, 1992

## JOURNEYMAN EVENT – 2012

### CROSS ARM CHANGE OUT Dead & Grounded

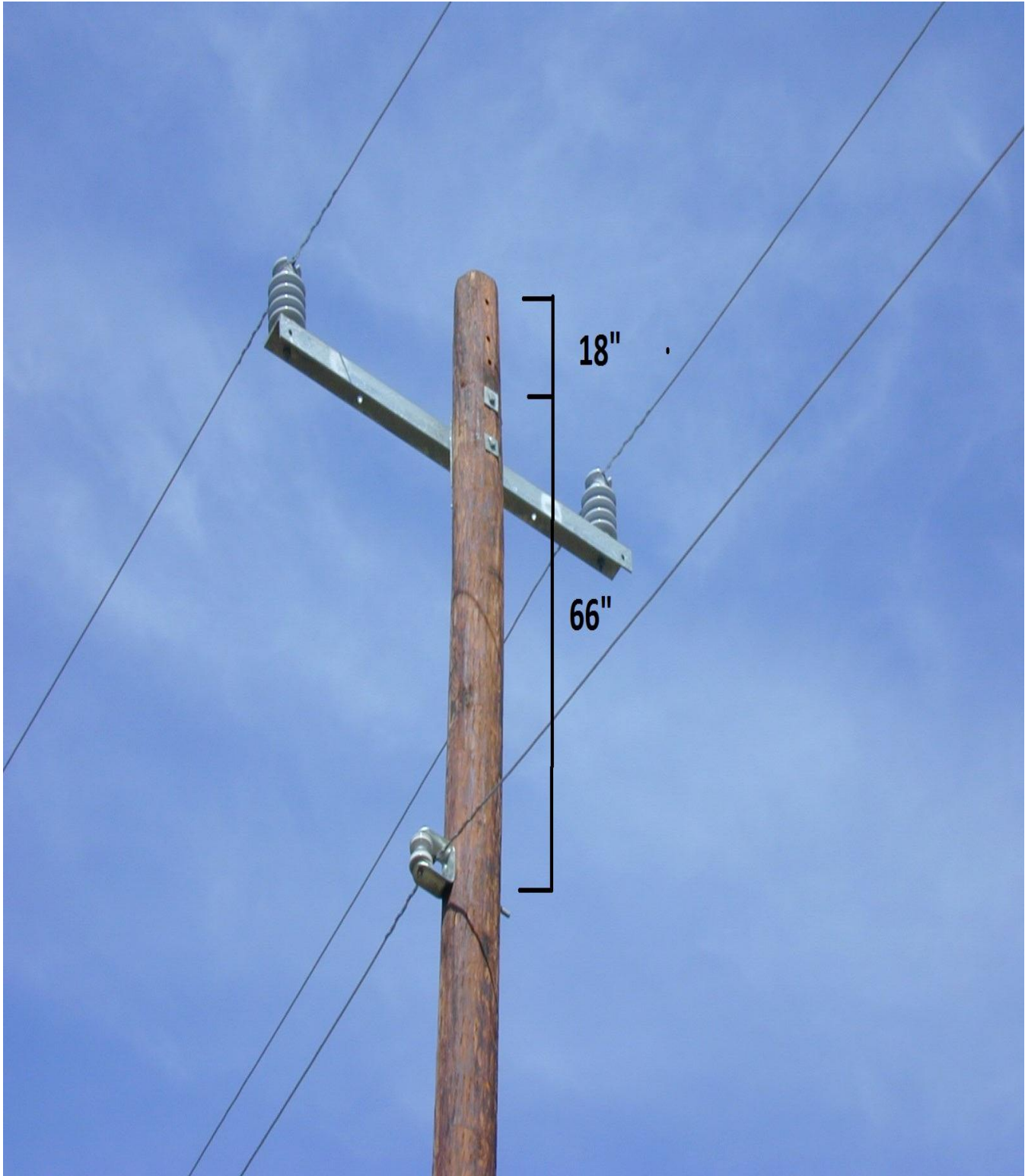
**Mean time: 10 minutes**

In this event the two phase conductors (#2ACSR) are considered dead and grounded. The existing 5 ft. steel cross arm, preform ties w/ tube, studs with lock washers and insulators must be replaced. A complete set of all necessary hardware will be available on the ground at each event pole. New cross arm and insulators must be assembled after time starts. Insulator-studs will be in the insulators at the start and will remain in the insulators at the end. Lineman will replace existing cross arm with new equipment and send old cross arm down to the ground, re-secure conductors with new preform ties. All insulators must be removed from arm with nut/lock washer back on stud before event is considered complete.

- Teams will be allowed a 5- minute setup time before starting the event. All tools must be laid out on a competitor-supplied tarp in the designated work area.
- Time starts at the judge's signal.
- The new cross arm must be made up after the event starts.
- Lineman may assist the ground worker with making up the new cross arm but will not be allowed to wear hooks/gaffs while assisting.
- Conductors can be floated.
- Conductors are secured on a 34 kV porcelain insulator (see photo) with #2ACSR preform ties. (Screwdriver may be used to remove ties, no knives or pliers)
- After new cross arm is installed, conductors must be re-secured with #2ACSR preform ties. (Screwdriver may be used to install wrap lock ties, no knives or pliers)
- All insulators must be removed from arm with nut/lockwasher back on stud before event is considered complete.
- Grommets cannot fall to the ground.

#### Materials provided-

- 5' steel arm (Action Mfg. Catalog # AMI-1001)
- 2 - Post type tie-top insulators w/ studs already installed (Powerline Hardware Pt. # P2127G)
- 2 - #2 distribution ties (UTF – 1204)



# **APPRENTICE EVENT- 2012**

## **Written Test**

Test time: 20-minutes

This will be a written test compiled of 30 questions. The questions will be taken from five Chapters of “The Lineman’s and Cableman’s Handbook” 10<sup>th</sup> Edition.

(See below)

1. The questions will be multiple-choice and fill in the blank.
2. All apprentice linemen will take the test together at the beginning of the Rodeo.

\*All questions will count 1 point each.

The chapters will be 3, 9, 22, 24, and 25.

Chapter 3 – Substation

Chapter 9 – Distribution Automation

Chapter 22 – Sagging Line Conductors

Chapter 24 – Live-Line Maintenance with Hot-Line Tools

Chapter 25 – Live-Line Maintenance with Insulated Aerial Platforms

# APPRENTICE EVENT – 2012

## Hurtman Rescue

### Mean Time: 4 minutes

This event will be run one time with the apprentice and a helper participating to rescue the hurtman. Apprentice will have 5 minutes to set up and ask questions. The switch (cutout) feeding the transformer must be opened before the climber can step onto the pole. It will be opened from the ground using an extendo stick and rubber gloves. The stick must be off the ground and the body anytime it is touching anything energized. The climber must wear rubber gloves ground to ground. Apprentice will split handline and loop bottom part of handline around mannequin's legs. Then take the top part and wrap around the pole a minimum of one and a half wraps, take the rope under mannequin's arms and tie three half hitches (the splice cannot be part of the knot). The mannequin can then be lowered to the ground while the apprentice's helper uses the bottom part of handline tied to the mannequin's legs to pull mannequin on to the tarp. You must attempt to keep the mannequin off the pole and hardware. There will be **NO** gigs for incidental contact of the mannequin on the pole or neutral. The mannequin must land with all of his body on the tarp, and he must hit the ground gently as if a real person. Apprentices will provide their own tarp and place it 5' from pole centered under switch. A video will be posted on [www.garodeo.com](http://www.garodeo.com) to give competitors an idea on how to do this event.

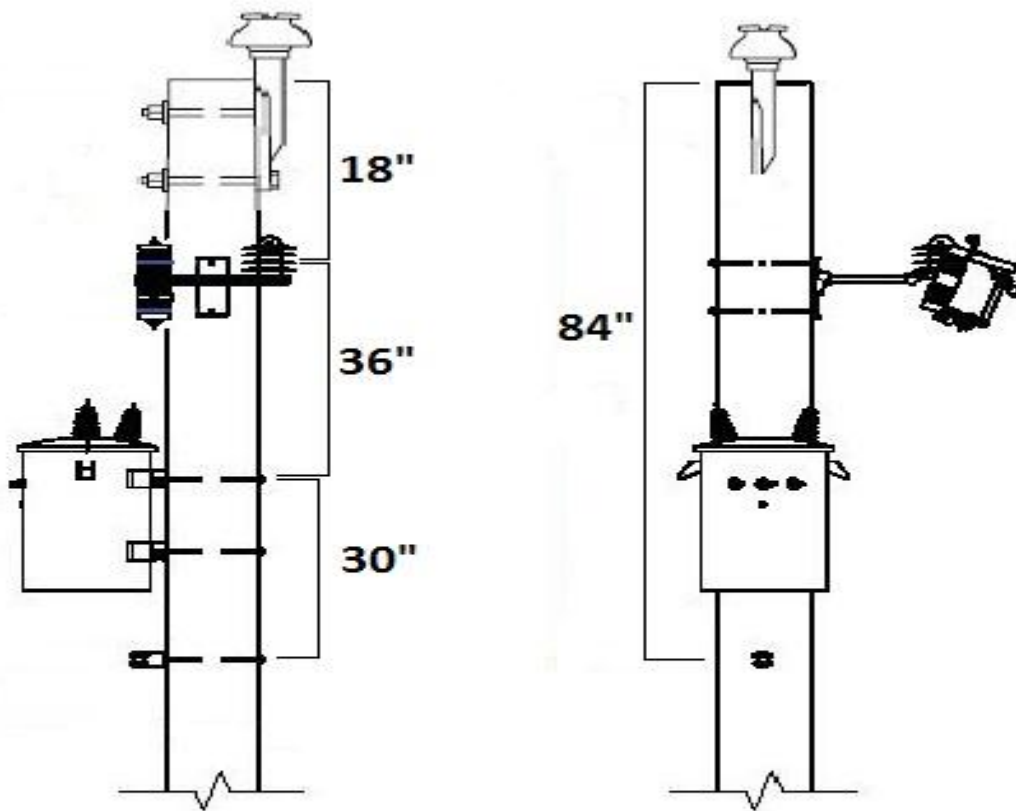
### Event Specifications

- Time starts at judge's signal with all apprentice and helper at least an arm's length from pole and extendo stick.
- Apprentices may use whomever they wish for a helper as long as that person is wearing a hardhat.
- Helper may only be used to tag the mannequin out.
- All rubber gloves will be in glove bag cuffs down with no fingers protruding.
- Apprentice's belt and hooks will be on the ground opposite the switch side of the pole.
- Extendo stick will be lying flat at on tarp fully retracted.
- Time will stop when mannequin is on the tarp with slack on the handline and extendo stick is fully retracted and back on tarp.
- Apprentice will stay on pole and help hang mannequin.
- Apprentice will close switch back after time stops.
- You must use the eye to open and close switch.
- When time starts extendo stick will be lying flat on tarp and must be back on tarp fully retracted before time will stop.
- Rubber gloves or work gloves must be worn anytime you are working or handling tools and equipment.

- You must cut the Bashlin 57-A insert. There will be a 10 point deduction for cutting the belt in the wrong place.
- The blade of the climber's knife must not be exposed while climbing.
- Judges will use a 4" PVC conduit between the rope and the mannequin to evaluate the rope knot, the eye splice cannot be in any part of the knot.
- You may use any standard knot or hitch on the mannequin's legs that can be easily removed. (including placing the rope through the hook, but it must not come off)

***Teams will provide their own:***

- Extendo Stick
- Tarp



- **Mannequin will hang from the top hanger of the transformer under the T-bracket.**

# APPRENTICE EVENT – 2012

## Neutral Assembly Change Out

**Mean Time: 10 min.**

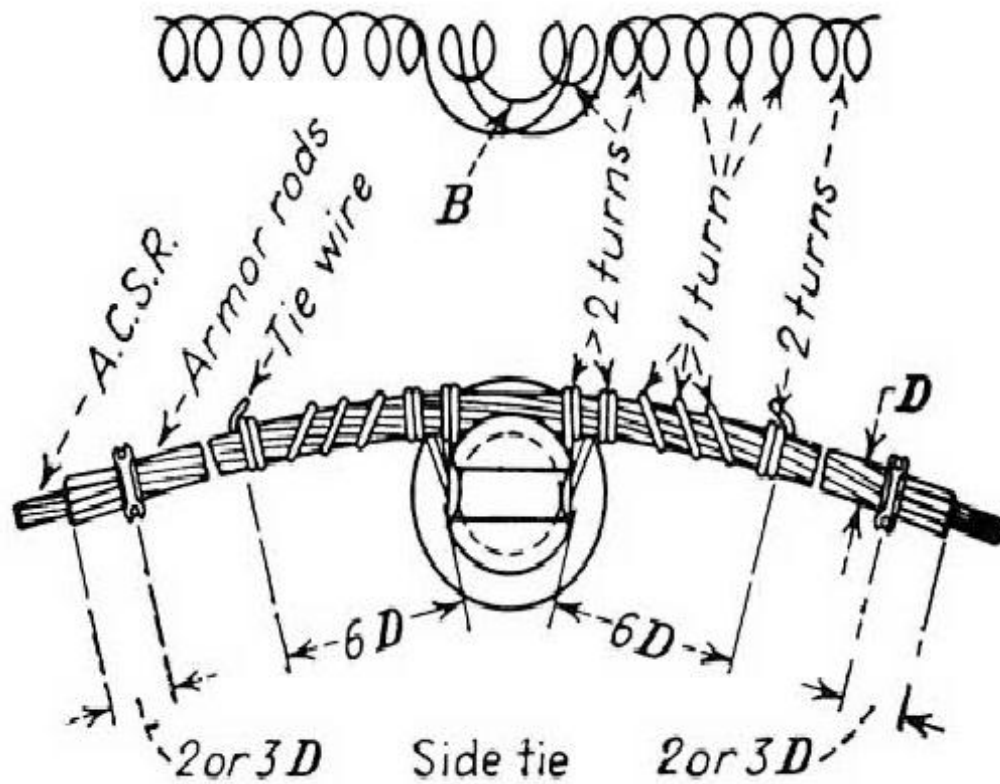
This event has never been energized. The apprentice will be required to replace the large neutral assembly (square rack), bolt, and washer on a C-1X structure (see spec. drawing and picture). New hardware will be provided, and the apprentice will re-tie the conductor with #6 tie wire using a “side tie” or “2-2-3-2 tie” (see diagram). A grunt bag must be used for all material (supplied by apprentice).

Event Specifications:

1. General Rules will be followed.
2. Apprentice will be allowed 5 minutes for set-up time and questions.
3. Bag may be loaded during set-up time.
4. Bag must be raised and lowered with a rope.
5. New tie wire will be pre-cut and available at the event entrance.
6. Time will stop when apprentice has foot on ground.

Material provided:

- Large neutral assembly (square rack)
- Spool
- Machine bolt
- Square washer
- #6 tie wire (6ft.)



**\*Please note: Even though this drawing shows a post type insulator, this tie is also used for tying ACSR to a neutral spool. See page 22.22 in “The Lineman’s and Cableman’s Handbook” 10<sup>th</sup> edition.**



# APPRENTICE EVENT – 2012

## **Bell and Armor rod Installation**

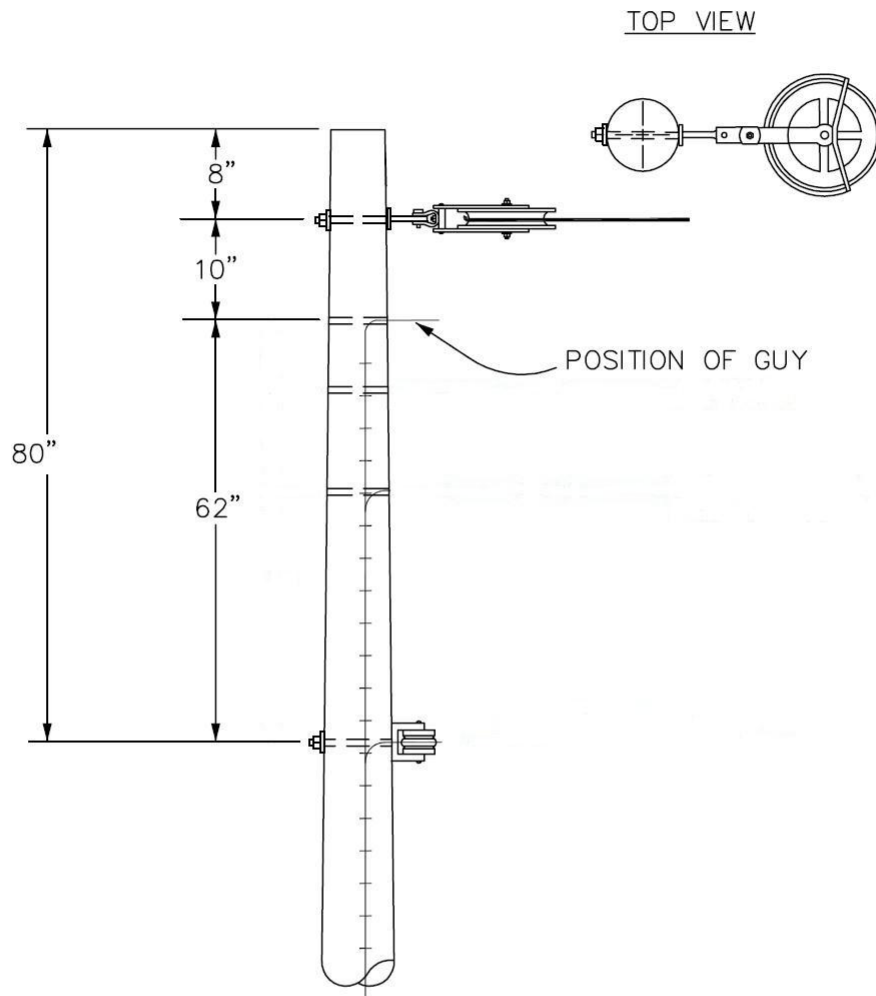
**Mean time: 10 min**

The purpose of this event is to install an armor rod and polymer bell with angle shoe on an A-3 structure. This is new construction and has never been energized.

- Climber will make up armor rod **after** time starts.
- Primary will be in roller (**Sherman & Riley #XS-100**) when event starts.
- Armor rod must be installed while primary is in the roller. Channel locks are permissible as long as they are used properly.
- Climber will use hot hoist or slack blocks to move wire from the roller to bell.
- All tools must be used according to manufacture recommendations and safe work practices.
- All material must be raised and lowered in a material bag
- Time will stop when apprentice has belted off below the neutral and calls “Time”. Climber will then move wire back to the roller, and remove armor rod.
- All material must be lowered to the ground before calling “time”.
- Judging will continue until the apprentice leaves the event area.

### Material Provided:

- 25kv polymer bell (Hubble Power Systems part # 4010250215)
- Angle shoe (MacLean Power Systems part# P-531)
- #2 Armor Rod (short)



24° - 60° LINE ANGLE

## STANDARD CONFIGURATION, VERTICAL SUSPENSION

NOTE:  
MINIMUM DISTANCE FROM LOWEST  
PRIMARY TO NEUTRAL POSITION IS 36"

ELECTRIC CITIES OF GEORGIA

REVISIONS   JULY, 2002    
  JANUARY, 2007  

DATE:   OCTOBER, 1992  

A3

## 2012 Georgia Lineman's Rodeo Judging Questions

Please submit all event questions directly to the Georgia Lineman's Rodeo Association at the below contact information. **ALL QUESTIONS MUST BE SUBMITTED IN WRITING BY EITHER E-MAIL OR U.S. MAIL. QUESTIONS WILL NOT BE ANSWERED BY PHONE.** Please include your return contact information with any electronic or U.S. Mail communications. **EVENT QUESTIONS ONLY.**

G.L.R.A.

[eventquestions@garodeo.com](mailto:eventquestions@garodeo.com)

Brandon Wylie - Events Committee Chair  
Electric Cities of Georgia, Inc.  
75 Fifth Street NW, Suite 850  
Atlanta, Georgia 30308

Questions will be reviewed with the events committee as needed. The current members of the Events Committee are: Tony Jordan (Cobb EMC) – Kenny Wylie (Greystone Power) – Jon Beasley (ECG) – Tyree McGhee (Albany W.G. & L) – Brent Alderman (Thomasville Utilities) – Rusty Rainey (Coweta-Fayette EMC). All questions will be answered and posted in a timely fashion.



**2012 Georgia Lineman's Rodeo**  
**Chehaw Park, Albany, Georgia**  
**May 5, 2012**  
**TEAM ENTRY FORM**

**\$300 - Registration Fee Deadline April 15**  
**Out of State Entry Fee - \$400**

Utility Name: \_\_\_\_\_ Contact: \_\_\_\_\_

Address: \_\_\_\_\_ City: \_\_\_\_\_ State: \_\_\_\_\_ Zip: \_\_\_\_\_

**Please return with payment to: GLRA P.O. Box 4668, Marietta, Ga. 30061-4668; Fax: 770-794-5225**

Journeyman #1	
Name:	T-Shirt Size:
Signature:	
Journeyman #2	
Name:	T-Shirt Size:
Signature:	
Groundman	
Name:	T-Shirt Size:
Signature:	
Alternate	
Name:	
Signature:	
Rodeo Coach's Name:	
Phone Number:	Email:

Division:     IOU             Municipal             EMC

*I understand that all hooks, belts, and hand tools furnished by me will be in a safe operating condition. Participants are responsible for their own transportation, hotel, and meal expenses en route and during the Rodeo. Participants will be required to sign a liability release before participating in the Rodeo; releasing the Rodeo sponsors and their employer from any liability should an injury occur during the Rodeo.*



**2012 Georgia Lineman's Rodeo  
Chehaw Park, Albany, Georgia  
May 5, 2012**

**APPRENTICE ENTRY FORM**

**\$100 Registration Fee Deadline April 15  
Out of State Entry Fee - \$150**

Utility Name: \_\_\_\_\_

Address: \_\_\_\_\_ City: \_\_\_\_\_ State: \_\_\_\_\_ Zip: \_\_\_\_\_

**Please return with payment to: GLRA P.O. Box 4668, Marietta, Ga. 30061-4668; Fax: 770-794-5225**

Apprentice	
Name:	T-Shirt Size:
Signature:	
Name of your Rodeo Coach:	
Coach's Phone Number:	
Coach's E-mail Address:	
Utility Contact Person:	

Division: (Check One)  IOU  Municipal  EMC

*I understand that all hooks, belts, and hand tools furnished by me will be in a safe operating condition. Participants are responsible for their own transportation, hotel, and meal expenses en route and during the Rodeo. Participants will be required to sign a liability release before participating in the Rodeo; releasing the Rodeo sponsors and their employer from any liability should an injury occur during the Rodeo.*



**2012 Georgia Lineman's Rodeo  
May 5, 2012**

**JUDGE'S REGISTRATION FORM**

**Deadline for Judge's Registration is April 15, 2012**

**Please return this form to: GLRA, P.O. Box 4668, Marietta, Ga. 30061-4668 or Fax to: 770-794-5225**

We welcome judges from all participating companies. Each In-State Team will be required to provide two judges. Each Out-of-State Team will be required to provide at least one judge.

Utility Name: \_\_\_\_\_

Address: \_\_\_\_\_ City: \_\_\_\_\_ State: \_\_\_\_\_ Zip: \_\_\_\_\_

Judges:

1. Name \_\_\_\_\_ Title: \_\_\_\_\_

Event judged In Prior Rodeos: \_\_\_\_\_

Event Preferred: \_\_\_\_\_

Phone: \_\_\_\_\_ Fax: \_\_\_\_\_ Shirt Size: \_\_\_\_\_

E-mail Address: \_\_\_\_\_

What type of line experience do you have? \_\_\_\_\_

\_\_\_\_\_

\_\_\_\_\_

2. Name \_\_\_\_\_ Title: \_\_\_\_\_

Event judged In Prior Rodeos: \_\_\_\_\_

Event Preferred: \_\_\_\_\_

Phone: \_\_\_\_\_ Fax: \_\_\_\_\_ Shirt Size: \_\_\_\_\_

E-mail Address: \_\_\_\_\_

What type of line experience do you have? \_\_\_\_\_

\_\_\_\_\_

\_\_\_\_\_

3. Name \_\_\_\_\_ Title: \_\_\_\_\_

Event judged In Prior Rodeos: \_\_\_\_\_

Event Preferred: \_\_\_\_\_

Phone: \_\_\_\_\_ Fax: \_\_\_\_\_ Shirt Size: \_\_\_\_\_

E-mail Address: \_\_\_\_\_

What type of line experience do you have? \_\_\_\_\_

\_\_\_\_\_

\_\_\_\_\_

*All judges should handle their own motel reservations the same as the rodeo teams.*



**2012 Georgia Lineman's Rodeo  
Chehaw Park, Albany, Georgia  
May 5, 2012 @ 4 pm**

**AWARDS BANQUET TICKETS**

Awards Banquet tickets are available for pre-sale, or on Friday and Saturday at the Rodeo grounds. This form is to purchase meals for Coaches, Team Support, and Spectators.

**Banquet tickets are included for Teams, Apprentices and Judges.**

**Please return with payment to: GLRA, P.O. Box 4668, Marietta, Ga. 30061-4668 Fax: 770-794-5225**

Banquet Dinner meal reservations. Adults are \$15.00 each; and Children are \$8.50

Qty – Children's Tickets \_\_\_\_\_ @ \$ 8.50 each = \$ \_\_\_\_\_

Qty – Adult Tickets \_\_\_\_\_ @ \$15.00 each = \$ \_\_\_\_\_

---

**TOTAL ENCLOSED \$ \_\_\_\_\_**

**Ticket orders received by March 31 will be mailed to:**

Name: \_\_\_\_\_

Utility Name: \_\_\_\_\_ Phone: \_\_\_\_\_

Address: \_\_\_\_\_

City: \_\_\_\_\_ State: \_\_\_\_\_ Zip: \_\_\_\_\_

**Orders received after March 31 can be picked up at Registration, Friday, May 4<sup>th</sup>, 2 pm – 4 pm.  
Tickets will be picked up by:**

Name \_\_\_\_\_ Company \_\_\_\_\_



**2012 Georgia Lineman's Rodeo  
 Chehaw Park, Albany, Georgia  
 MAY 5, 2012**

**OFFICIAL RODEO T-SHIRT ORDER FORM**

This form is to purchase official rodeo t-shirts and hats for Coaches, Team Support, Judges and Spectators.  
**Shirts are included for Teams and Apprentices.**

**Please return with payment to: GLRA, P.O. Box 4668, Marietta, Ga. 30061-4668; Fax: 770-794-5225**

**T - SHIRTS**

Qty - Small	_____	@ \$12.00	\$ _____
Qty - Medium	_____	@ \$12.00	\$ _____
Qty - Large	_____	@ \$12.00	\$ _____
Qty - X Large	_____	@ \$12.00	\$ _____
Qty - 2XLarge	_____	@ \$14.00	\$ _____
Qty - 3XLarge	_____	@ \$14.00	\$ _____
Qty - 4XLarge	_____	@ \$14.00	\$ _____

**CHILDREN T- SHIRTS**

Qty - Youth Small	_____	@ \$10.00	\$ _____
Qty - Youth Medium	_____	@ \$10.00	\$ _____
Qty - Youth Large	_____	@ \$10.00	\$ _____

**HATS**

Qty - Hats	_____	@ \$10.00	\$ _____
------------	-------	-----------	----------

**TOTAL ENCLOSED \$ \_\_\_\_\_**

**Shirts & Hats will be available for pickup at Registration, Friday, May 4<sup>th</sup>, 2 pm – 4 pm.**

**Apparel will be picked up by:**

Name: \_\_\_\_\_ Utility Name: \_\_\_\_\_

Address: \_\_\_\_\_

City: \_\_\_\_\_ State: \_\_\_\_\_ Zip: \_\_\_\_\_

Phone Number: \_\_\_\_\_



# Georgia Lineman's Rodeo Past Participants

---

Acworth Power  
Albany Water, Gas, & Light  
Arizona Public Service  
Carroll EMC  
Cherokee Electric Corp.  
City of Cartersville  
City of Fairburn  
City of Forsyth  
City of Lagrange  
City of New Bern  
City of Opelika AL  
City of Sylacauga  
City of Tallahassee  
Cobb Energy  
College Park Power  
Coweta-Fayette EMC  
Crisp County Power  
Diverse Power  
Duke Power  
East Point Power  
Flint Energies  
Florida Power & Light  
Gainesville Regional  
Georgia Power Co.  
Greystone Power Corp.  
Griffin Power

Gulf Power Co.  
Habersham EMC  
Jackson EMC  
Jefferson Energy  
Kansas City P&L  
Kissimmee Utility  
Lakeland Electric  
Marietta Power  
Mastec Energy Services  
Middle Georgia EMC  
Mississippi Power Co.  
Newnan Utilities  
Northern Virginia Elec. Coop  
Ocala Electric Utility  
Owen Electric Coop  
Progressive Energy  
PSE&G New Jersey  
Savannah Electric  
Sawnee EMC  
Snapping Shoals EMC  
Sumter EMC  
Thomasville Utilities  
Walton EMC  
Washington EMC  
Wisconsin Electric  
City of Whigham

United States Air Force