

INFORMATION PACKET



GEORGIA LINEMAN'S RODEO

FFA – CAMP JOHN HOPE

FORT VALLEY GEORGIA – May 6, 2023



RODEO INFORMATION

The Twenty-Eighth Annual Georgia Lineman's Rodeo Competition will be held on May 6, 2023 at Camp John Hope: 281 Hope Entrance Rd, Fort Valley, GA 31030. Teams will compete in two divisions: EMC and Electric Cities.

On Saturday following the Rodeo, there will be an awards presentation on the Camp John Hope Rodeo Field.

Awards will be given to:

- First, second, third, fourth, and fifth place teams overall.
- First, second, and third place teams for events.
- First, second, third, fourth, and fifth place overall apprentice lineman.
- First, second and third place apprentice lineman in each division.
- First, second and third place apprentice lineman for events, per division.

Judges representing each division will judge the rodeo events. Rodeo teams consist of three members: two climbers and a ground person. They may also have a coach if desired. Climbers must be a Journeyman Lineman or meet the qualifications established by the International Lineman's Rodeo Committee. An Apprentice Lineman who has competed as an apprentice for four years or more cannot compete in the Apprentice events. After four years of Rodeo competition as an Apprentice, the Apprentice must compete on a Journeyman team.

A Lineman can be the Groundman but must be designated as the Groundman for the Rodeo.

This packet is intended as an informational resource to answer commonly asked questions about the Lineman's Rodeo. It contains specification pages that may be used to build a practice line as well as information sheets for each announced event in the Rodeo. Also included is a list of common infractions for all events that judges will be looking for.

Registration will be at Camp John Hope on Friday, May 5th with Competition on Saturday, May 6th from 8:00am - 2:00pm. All Apprentices must register individually, and all Team members must register together. **All participants must provide a picture ID for registration.**

Teams and Apprentices must have their own tools, handlines, hose bags, hand tools, wire brushes and tarp. Teams that might be sharing some major items must register together and let someone know at registration to avoid being scheduled for the same event together. The schedule will be drawn prior to registration.

Each Team is required to supply at least one judge per team for the rodeo.

One judge is required for every three apprentices that are from one utility.

RODEO INFORMATION (cont'd)

All poles for the rodeo will be Penta-treated 40' class 4, unless otherwise noted on event description sheet.

To compete in the Rodeo, please register online at garodeo.com or email your completed forms to Charles Mathis at Charlesmmathis@bellsouth.net. If paying by check, please send form and payment to:

GLRA | 6077 Middleground Road | Louisville, GA 30434

Please attempt to have registrations submitted before April 14, 2023 to allow for ordering of supplies and materials.

You are responsible for making your own hotel reservations. GLRA will not be blocking rooms.

There will be a special vendor show on Friday, May 5th and Saturday May 6th at the FFA Camp. Vendors will be displaying the latest tools and equipment pertinent to Electric Utility Linemen. See agenda for more details.

Please do not grill on the Rodeo Field during the rodeo on Saturday. The smoke could be a distraction for the participants competing. Thanks for your cooperation in this matter.

Camp John Hope is a state-run facility, **so no alcoholic beverages are allowed at the GLRA awards banquet.**

NEW: Competitors' trailers will be required to park on the far end of the field.

Note: All events at the Georgia Lineman's Rodeo are for competition purposes only and in no way should be taken as to what a Journeyman Team or an Apprentice should or should not do at their own company.

EVENT CANCELLATION POLICY

The Georgia Lineman's Rodeo is sponsored and coordinated through the Georgia Lineman's Rodeo Association. GLRA is a non-profit organization that relies on participant entry fees, exhibitor sponsorships, and meal, shirt, and hat orders to finance the Rodeo. Many of the expenses incurred are non-refundable to GLRA.

The Georgia Lineman's Rodeo will be cancelled in the event of prolonged Lightning, Tornados, or other severe weather during the scheduled day of the Rodeo that make it impossible for safe participation. Furthermore, the Rodeo will be cancelled in the event of widespread power outages that require most of the Rodeo participants and judges to return to work.

In the event of cancellation, there will be no refunds for entry fees, sponsorships, and food and/or merchandise orders. Shirts and hats that were preordered and paid for will be delivered later.

The decision to cancel the Rodeo due to weather related issues will be made by the Georgia Lineman's Rodeo Association Board of Directors and communicated by every means possible.

RODEO JUDGE'S SCORING INFORMATION

The GLRA Events Committee sets forth the guidelines listed on the following pages. Each event is worth a total of 100 points.

Bonus points will **Not** be awarded in the 2023 GLRA Rodeo. Places for events will be determined by combination of highest score and fastest time.

JUDGING IS BASED UPON:

- **Safety**
 - **Work Practices**
 - **Neatness and Ability**
 - **Equipment Handling**
 - **Timely Completion of Event**
- Time will be used as a tiebreaker only.
 - Total number of events for each team = 3.
 - All Safety rules are to be observed during events.
 - Rubber gloves ground to ground for all pole events unless otherwise stated in event description.
 - **All material sent up and down the pole will be hooked on the handline hook or inside a material bag.**
 - Safety glasses are required for all events.
 - Ground man must wear work gloves.
 - Hard hats must be worn properly during all events.
 - Long sleeve shirts are required.
 - **A tool inspection will be conducted to check for safe condition and for alterations of tools such as: tapered cuts on straps, elongated holes in straps & belts, tape on straps, improper gaff length, buckles filed.**
 - **Video Evidence will not be allowed in scoring results.**

JUDGING GUIDELINES

All safety rules are to be observed during events.

INFRACTIONS – 2 POINT DEDUCTION

1. Loss of hard hat.
2. Not wearing safety glasses.
3. No rubber on reach, fall, or slip.
4. Dropping tools.
5. Cutout with loss of control.
6. Hot-dogging.
7. Hand line operation while team is climbing.
8. Misuse of tools.
9. Wearing hard hat backwards.
10. Twisted hand line operation.
11. Not wearing OSHA approved lineman's belt.
12. Poor housekeeping (Tools and material must be kept on tarp).
13. Exceeding the mean time to complete an event.
14. If the event mean time is exceeded by more than 2 minutes the team will be stopped and be deducted 2 additional points. Timing will continue until the event is returned to normal and both linemen are back on the ground.
15. Not wearing work gloves.
16. Pushed or rolled up shirt sleeves.
17. Being late for an event. **Once an event is completed, teams and apprentices will be given 30 minutes to arrive at their next event. Teams and apprentices will be given one 1-hour lunch break.**
18. Failure to perform an event on schedule unless approved by Master Judge.
19. **Using unsafe tools in any event.**
20. **IMPROPER ADJUSTMENT ON FALL RESTRAINT WHILE CLIMBING OR IN A WORKING POSITION.**

GENERAL RULES – 10 POINT DEDUCTION

1. Cut out and fall to the ground.
2. Accidental contact with energized phases.
3. Working opposite energized phases.
4. Insulators being broken during an event.
5. Not using hand line or material bag for sending material up and down the pole.
6. Ascending or descending the pole while another climber is working or un-safetied.
7. **FALL RESTRAINT/PROTECTION MUST BE USED IN THE 2020 GEORGIA LINEMAN'S RODEO.**
8. **5 MINUTES LATE FOR TEST (MORE THAN 5 MINUTES LATE THE COMPETITOR WILL RECEIVE A ZERO FOR THAT EVENT).**

DISQUALIFICATION

1. Unprofessional behavior.
2. Practicing on the Rodeo field prior to the Rodeo.
3. Tampering with materials, tools, or equipment on the Rodeo Field.
4. Unapproved use of alternates or changing status of team members during the events. See Master Judges for approved use of alternates or change in team status during Rodeo.
5. Teams and Apprentices must attempt all events to be eligible to win an event except for a Team or Apprentice being injured the day of the rodeo. Final determination for a Team or Apprentice to win, that did not attempt all events, will be made by the Events committee.

RULES FOR PROTEST

1. Protests must be submitted to the Chief Judge **BEFORE** the competitor exits the event.
2. Protest must be made on the **official protest form** to the Chief Judge for that event and resolved before leaving event location. (Protest forms will be at each event)
3. If the Chief Judge denies the protest, an additional two-point deduction will be applied to the score on that event.
4. Protest may be appealed to the Master Judges. If the Master Judges rule in favor of the team/apprentice, the two-point deduction for the protest will be removed. However, if the Master Judges uphold the decision of the Chief Judge the two-point deduction will remain and an additional two-point deduction will be applied.

General Judging Guidelines

- Teams and apprentices will have a **5-minute set-up time to prepare tools and also ask any questions they may have for the judge**. If the team or apprentice is not ready at the end of the 5-minute set-up time, the event time will begin.
- Climbers may assist each other with safety straps while re-positioning (1 or 2 steps) only.
- Blanket pins, small material (clamps, tie wire etc.) and small hand tools may be carried up in the lineman's ditty bag (no insulators, big bolts or items that may be dropped and injure someone) **unless otherwise noted on individual events**.
- The 1st climber must carry the handline, one climber must descend the pole to the ground before the handline is dropped and the climber who drops the handline must signal the groundman (yell "headache") before dropping the block.
- The handline may be placed just above the neutral clevis before the neutral is covered, however the climber shall not contact the **uncovered** neutral with **unprotected** parts of the body.
- All tools and material must be sent up and down with handline or drop line.
- It is permissible to drop a tag line to the ground from the pole if the climber signals the groundman.
- It is permissible to lower rope blocks to the ground with its own rope.
- Material or tool bags may be suspended or hooked onto the bottom of the handline block.
- Brush/incidental contact of a **covered neutral** with **unprotected** parts of the body is **not** a deduction.
- Brush/incidental contact of a **covered primary** with **unprotected** parts of the body is a deduction.
- Hot Sticking Events: the climber cannot encroach inside the minimum approach distance on the hot stick with rubber gloves.
- Climbers **cannot** encroach inside the minimum approach distance (26 inches) of uncovered primaries that are not being worked with unprotected parts of the body, whether it be sticking or gloving events. The only permissible encroachment is with rubber gloves.
- **Working opposite energized phases at the same time is not allowed, whether it is with sticks or gloves.**
- Climbers shall not work on the ground with their climbing tools on. **Climbing tools are defined by the Event Committee as HOOKS/CLIMBERS ONLY. Body belts are not considered climbing tools.**
- Gaffs must be protected with gaff guards outside the 10 ft. circle.
- If material or tools come off the tarp and the groundman places it back on within 10 seconds, this is not a deduction.
- It is permissible for the handline and ropes to come off the tarp and remain there.
- All Team members and Apprentices must wear work gloves while working on the ground.
- The Team or Apprentice should check the working condition of all material and tools provided during the set-up time.

- The Groundman cannot work directly under a climber who is ascending or descending the pole.
- The Groundman cannot stand under a suspended load such as a crossarm.
- Material and tool bags cannot be loaded before time starts; bags do not have to be unloaded before time stops. (Must be unloaded before leaving event site)
- A climber may assist the Groundman pulling rope blocks, or a handline for raising or lowering heavy material.
- **Every electrical connection must be wire brushed unless otherwise noted.**
- The tie wire can be cut in the set-up time.
- The tie wire cannot be made up in the set-up time.
- Homemade devices used to hold primary cover upright are allowed but **must** be 10 ft. from the pole and subject to Chief Judge's discretion.
- Insulation shavings falling from the pole are not a deduction.
- Channel locks may be used as a holding tool only.
- **No ascending or descending the pole while other climber is un-safetied, working, or if handline is in operation.**
- When an event begins and ends with both climbers and the Apprentice back on the ground, the following will apply: **Event times will start on judges' signal.** Event time will stop when the last man down has one foot on the ground (earth).

Time will start on judge's signal. Teams and apprentice will start event with safety hooked in D ring or placed over arm. (Cannot hold snap in hand) Time will stop when the last man down has one foot on the ground (earth). However, the fall arrest/safety does not have to be removed from around the pole for time to stop.

JOURNEYMEN EVENTS

Four Competition Events

- 1. Hurtman Rescue**
- 2. Dead End Changeout**
- 3. Mystery Event #1**
- 4. Mystery Event #2**

APPRENTICE EVENTS

Four Competition Events

- 1. Hurtman Rescue**
- 2. Service Installation**
- 3. Mystery Event #1**
- 4. Mystery Event #2**

**THE 2023 GEORGIA LINEMAN'S RODEO IS A MANDATORY FALL
RESTRAINT/PROTECTION RODEO**

JOURNEYMAN EVENT #1

2023

"Are you ready?" after contestant responds in the affirmative the judge will say "Go." The clock will start when the judge says go.

Hurt Man Rescue – Simulated Hot on 40' Pole

This event simulates that a man has been injured while working to change out a faulty disconnect. This is a 4kV event and will require rubber gloves ground to ground.

This will be a three-person team event with all three contestants participating at the same time and at the same station. Both climbers will climb the pole to assist with the rescue. One will be in position to set up and operate the OX Block, while the second climber will tie three half-hitches under the arms of the mannequin prior to lowering him to the ground.

The groundman's duties will consist of using the extendo stick to open the switch. Before the mannequin's feet makes initial contact with the ground, the groundman will pull the mannequin by his feet to lay gently on his back within the work area circle.

There will be two judges assigned to each team. Both judges will run stopwatches and observe the team for infractions. Both judges can deduct points from a team at any time.

Prior to start of the event, each team has five minutes to ask questions and adjust belts. Contestants must use the handline provided. The event judge will position the handline the same way for each team. Prior to the start of the event, the handline nor the extendo stick can be adjusted.

A shotgun stick will be locked in the eye of the line side jumper hot line clamp. The fuse barrel will be in the closed position. The line side and load side jumper will be connected to the primary indicating that it is still energized. An extendo stick will be laying on a tarp.

The linemen's belts and hooks will be placed inside the 10' circle simulating typical backlot procedures. Hooks and belts can be laid out in any sequence. Safeties shall have all double locking hooks snapped into a "D" ring. Hooks or climbers may have gaff guards off while in the circle only. Rubber gloves shall be cuff down in their bag with at least one snap snapped. Climbers and belt may not be put on until time starts.

Three half hitches are the only acceptable knot. The lineman on the pole must call out "Headache" loudly if any item is dropped. The "rope" on the Buckingham Super Squeeze Rescue belt is the only item to be cut. There will be a 10-point deduction for cutting the belt in the wrong place.

Buckingham will supply the Ox Block Handline kit (50061A-4/80-Ox Block 80' Handline Kit)

The rescue mannequin will be equipped with the Buckingham Super Squeeze (Buckingham 488PR-Rescue Super Squeeze) (see page 30 from the General Rules for pictures)

The OX Block must be used by engaging the friction bar with a minimum of three clicks on the friction bar gate. Contacting the pole is acceptable but the mannequin will be lowered in a smooth and controlled descent to prevent hanging up on material. Time is over when the mannequin is on the ground and the groundman is on his knees and touches the mannequin's chest to prep for CPR. The contestants will assist in hanging the mannequin for the next team.

Event Guidelines:

- Time starts when judge says "go" while the team is outside the 10' work circle
- Journeymen may only put their climbers and belt on in the work circle after time starts.
- One contestant will be the initial responder verbally stating to the judge that an "Emergency Call has been made and Emergency Responders are on the way"
- The groundman will retrieve the extendo stick and open the cutout using the ring in the barrel. After opening, the stick will be retracted and positioned back on the tarp.
- After the disconnect is opened one of the climbing journeymen will ascend the pole and lift the line side and load side jumper from below the neutral.
- Both climbers will have to be on the pole and in position for the rescue.
- One climber will ascend above the mannequin to set up and operate the OX Block with three clicks on the friction gate before cutting the safety of the mannequin.
- The second climber will tie three half-hitches under the mannequin's arms prior to lowering the mannequin.
- The mannequin shall be lowered in a smooth and controlled manner to the ground
- Contacting the pole is acceptable.
- Before the mannequin's feet makes initial contact with the ground, the groundman will pull the mannequin to lay gently on his back within the work area circle. Points will be deducted for allowing the mannequin to hit the ground too hard or the groundman not assisting the mannequin to the ground on his back.
- Time is over when the mannequin is on the ground and the groundman is on his knees and touches the mannequin's chest to prep for CPR (groundman shall be kneeled down next to the mannequin's chest so that CPR could actually be done)
- The knots and or handline shall not be adjusted by the groundman (only incidental contact is allowed)
- Judges use a 3" PVC conduit between the rope and the mannequin to evaluate the rope knot.
- Points will not be deducted for a "too tight knot" only for a "too loose knot".

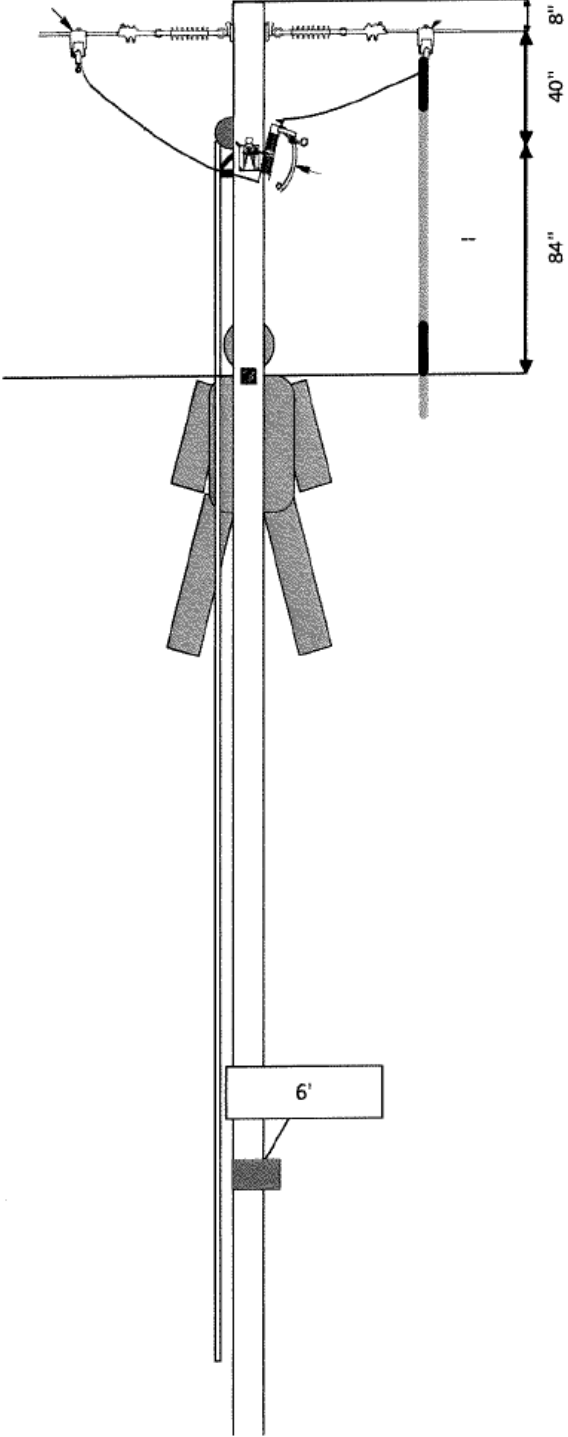
- Although the time has stopped the team will continue to be judged until the event is restored, (proper work practices will be used while restoring the event, properly using ring on barrel to close switch, retracting the stick, and placing back on the tarp etc.) and the team has verified their score and left the exit gate at the event.
- One or both climbers will remain on the pole to assist with restoring the event for the next competitors.
- Exceeding 4 minutes to complete the event will result in a two-point deduction.

Teams must provide their own Extendo Sticks

40' Class 4 poles will be framed as follows:

- ▶ Single phase primary Double Dead End in the 8" hole from the top of the pole (4KV)
- ▶ Closed disconnect on a switch bracket located 40" from the Dead-End Bells on the opposite side of the pole from the neutral.
- ▶ A shotgun stick will be locked in the eye of the line side disconnect hot line clamp.
- ▶ Hand line is hung on the back-side switch bracket on the same side of the pole as the neutral and block must remain there during rescue
- ▶ Neutral conductor will be located 84" below switch bracket.
- ▶ Mannequin will be hung just above the neutral, on the same side of the pole as the neutral.
- ▶ There will be a mark on the pole 6' above the ground level for climbing purposes.

The diagram below is an example only, the construction at the grounds will be built similar but may differ as conditions dictate.



DEAD END BELL CHANGE OUT

Mean time: 14 Min.

Drop Dead time: 16 Min.

This event will consist of changing out the dead-end poly bell located on the source side of the cross arm opposite the neutral using hot sticks. The source and load side will both be considered energized. The structure will be a double dead-end two-phase line on an eight-foot cross arm. A 21-inch polymer bell will be provided.

- Rubber gloves must be worn ground to ground
- Climber may assist in groundwork but may not be wearing hooks
- No material may be loaded before time starts – all bags/handline must be cleared/empty when time is stopped
- Material must be sent up/down using handline hook and/or bag(s)
- Neutral must be covered – both sides including clevis
- The conductor will be #2 ACSR attached to the polymer bell with a straight line dead end clap (bolt-on dead-end shoe)
- The bell change will be worked with hot sticks maintaining M.A.D.
- An insulated link must be used on hoist
- 2 points of positive control of conductor must be maintained once pin has been pulled from dead-end shoe
- M.A.D. of 25 inches must be maintained on all uncovered conductors
- Adjacent phase and bell must be covered before bell can be changed out
- Adjacent phase from bell to be changed out is energized and considered an opposite phase
- Handline may be hung on arm maintaining a safe working distance of 25 in from conductors
- Time will start at judge's signal
- Time will stop when last climber's foot touches the ground and team calls "time".

INFRACTIONS

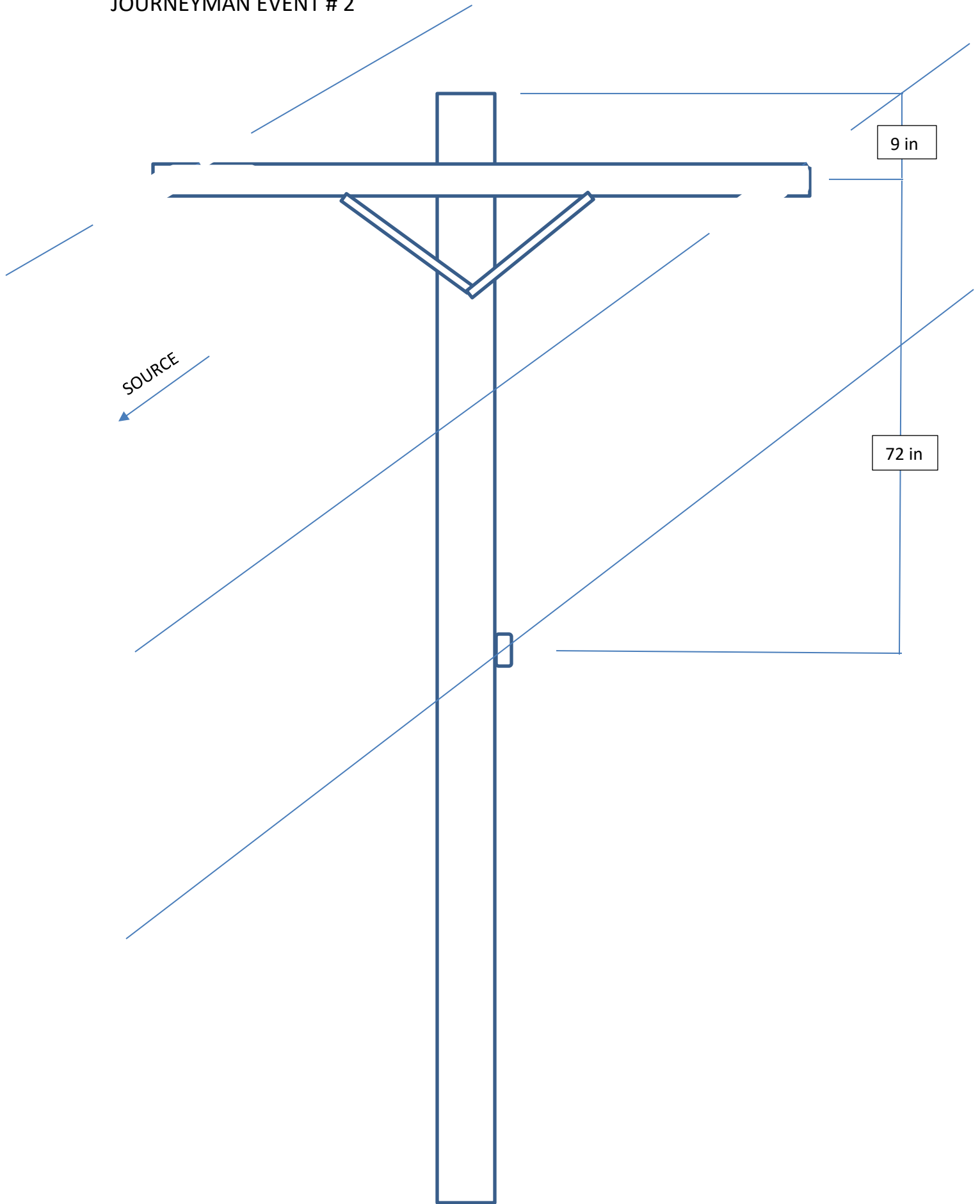
2 POINTS

- Exceeding the mean time
- Exceeding the drop-dead time
- Failure to change out provided marked bell and reuse original bell
- Dropping material, cover-up, etc.
- Failure to empty bag(s) before time is called
- Failure to wear gloves ground to ground
- Failure to maintain M.A.D. of 25 inches on uncovered conductors
- Failure to maintain M.A.D. on hot sticks

10 POINTS

- Climber cuts out and fall arrest fails to prevent climber from hitting the ground
- Working opposite phases
- Climber comes in contact with uncovered conductor
- Failure to maintain 2 points of control of conductor (Two hands)

JOURNEYMAN EVENT # 2



9 in

72 in

SOURCE

MYSTERY EVENT

All information on Mystery Event will be picked up at time of Registration

MYSTERY EVENT

All information on Mystery Event will be picked up at time of Registration

Apprentice Hurtman Rescue on 40' Pole

Mean Time: 5 minutes

APPRENTICE MUST WEAR RUBBER GLOVES DURING THIS EVENT.

Buckingham will supply the 488PR – Rescue Super Squeeze for the manikin and the 50061A-4/80-Ox Block 80' Handline Kit for this event.

Time starts at the judge's signal with the apprentice standing at an arm's length from their climbing tools. The apprentice's belt and hooks will be hanging on short pole to simulate truck bin, safety strap snapped into D-ring and belt unbuckled. No belt will be allowed to be placed on or around the pole.

Looking at the pole from the cross-arm side, the hand line will be hung on the right side. The hurt man will hang in the center of the pole on the cross-arm side with both ends of the Buckingham Rescue Super Squeeze safety rope through the braces. This will simulate an injury to a right-handed man wearing a fall arrest belt.

The apprentice must properly use the Buckingham Ox Block and attached handline to lower the mannequin.

The apprentice must take two wraps around the friction bar of the Ox-Block.

The apprentice will not be allowed to throw the handline over the crossarm to lower the mannequin.

If you are unsure as to how to properly use the Buckingham Ox Block handline, visit the Buckingham booth at the expo for detailed instructions. Link to Buckingham is:
<http://buckinghammfg.com/products/utility/supersqueeze-with-woven-inner-strap-for-distribution-488w2q3/>

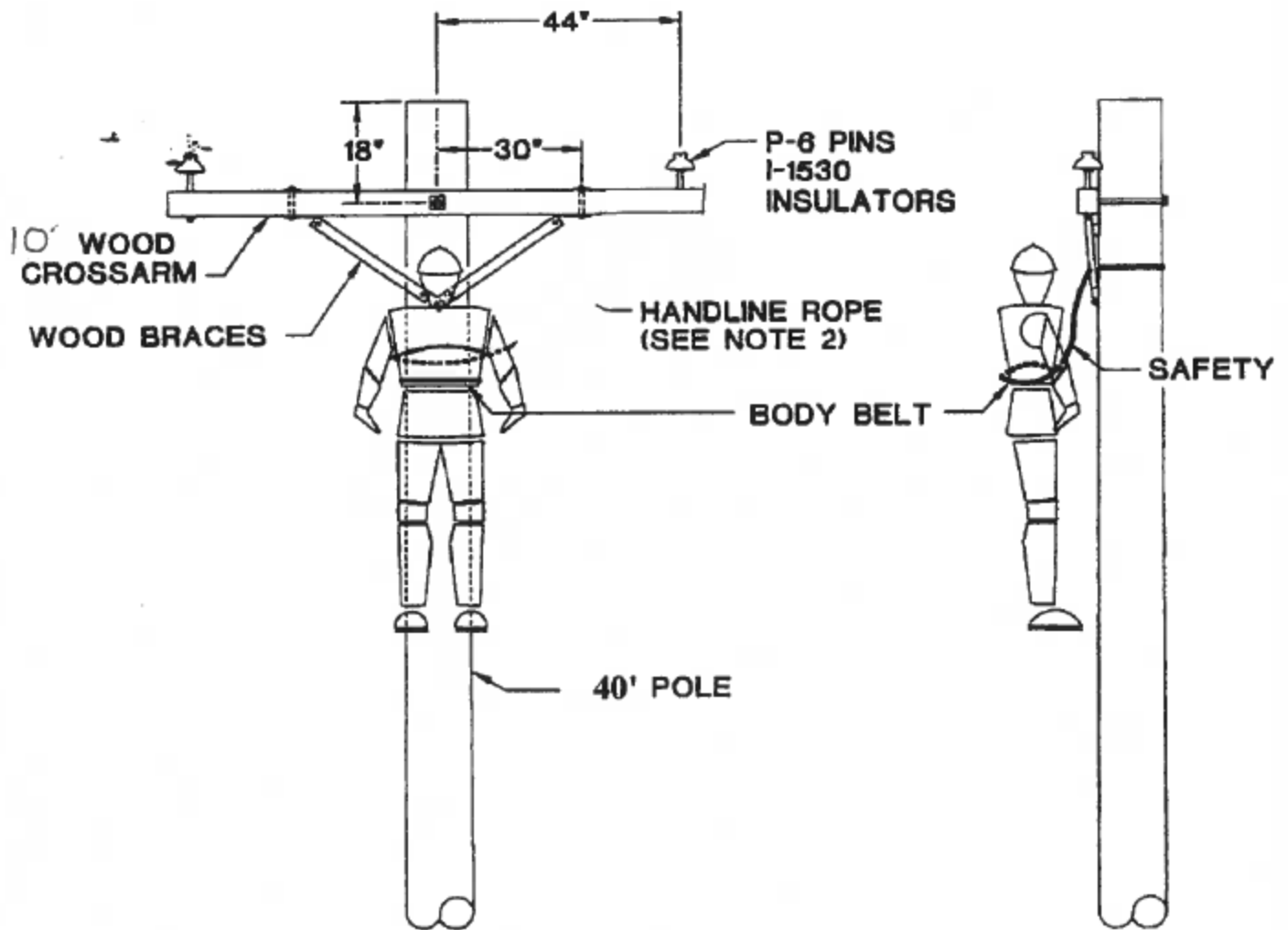
The mannequin should be tied under the arms with three half hitches. (Eye splice should not be used as part of hitches.) The half hitch is the only acceptable knot.

Be sure to call out "Headache" or similar warning loudly if you drop any part of the Ox Block handline such as the hook or snap.

The handline hook or snap must land in the circle of wood chips at the base of the pole if dropped.

You must cut the Buckingham Super Squeeze rope. There will be a 10- point deduction for cutting the Super Squeeze belt.

The mannequin should be moved smoothly to the ground without contacting the pole.



Ox Block will be installed 30 inches from the pole just outside of the wood brace.



Apprentice Service Installation

Mean Time 10 Minutes

Drop Dead 12 Minutes

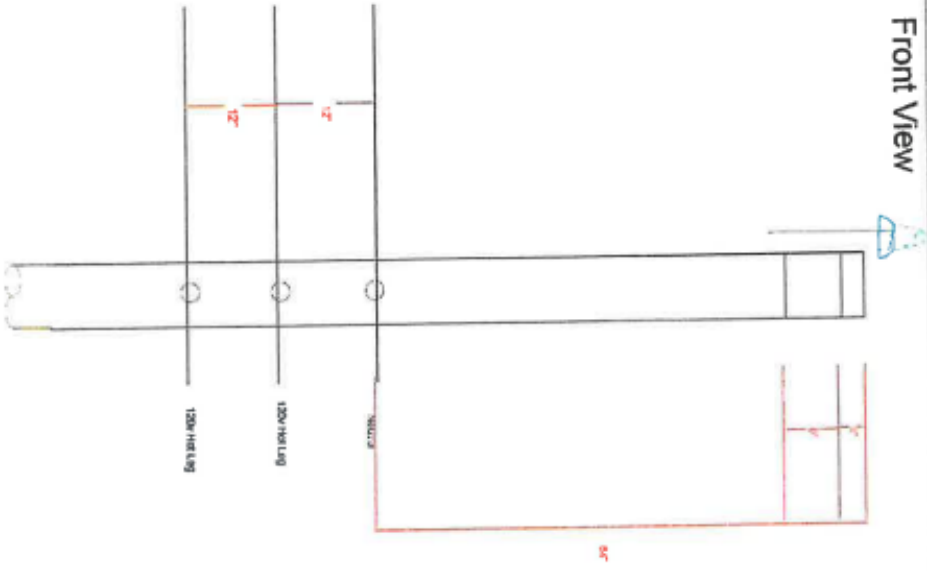
This event will consist of the apprentice pulling up a #2 triplex service, securing the service to the pole with a wedge clamp, and properly tapping the service up to a de-energized open wire secondary under build with 3 one bolt connectors. There will be a pre-cut #2 triplex service attached to a stud pole. There will also be a roller attached to the pole 4 inches below the neutral shackle with a running line already ran through it. On the judge's "go", the apprentice will lay the service out, retrieve one end of the running line, and tie a taut-line hitch knot on the service. The apprentice will then pull the service up and secure it with 3 half hitch knots to the eye bolt located at the bottom of the stud pole. The apprentice may then put on their climbing tools and ascend the pole. All material, wedge clamp and one bolt connectors must go up and down the pole in a material bag and must be pulled up by means of a tag line. Hand tools may be carried in belt. Once up the pole, the apprentice will secure the service to the neutral shackle with the wedge clamp and tap up the service with the one bolt connectors to the secondary under build in the proper sequence. Neutral connection first followed by hot leg connections. Once connections are made, the apprentice will lower their material bag to the ground with their tag line. This will signal the judge that connections have been made. Once the bag touches the ground, the apprentice can pull the bag back up to themselves and begin disconnecting the service in proper sequence. Hot leg connections first followed by neutral connection. The apprentice will then unhook the wedge clamp from the neutral spool, remove the wedge clamp from the service, and lower their material bag to the ground before descending the pole. Once on the ground, the apprentice will untie the half hitches from the eye bolt, lower the service back to the ground, and untie the taut-line hitch. Time will stop when all knots have been untied. *Entire event will performed under time and judged.*

Material Provided

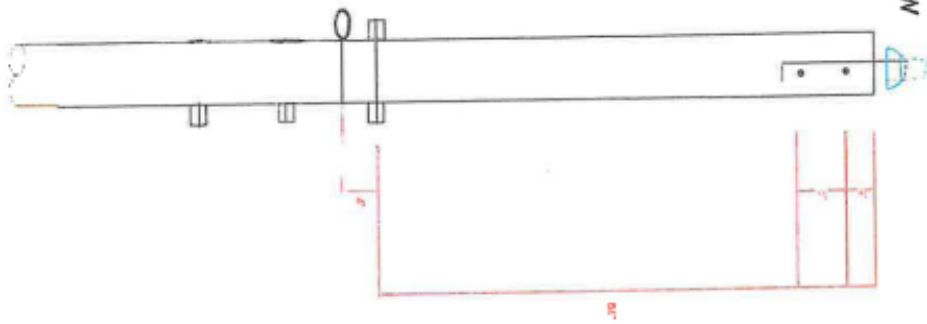
One wedge clamp and 3 one bolt connectors

- All ground work will be performed in leather gloves
- Rubber gloves will be worn ground to ground
- No ground work can performed with climbers on

Front View



Side View



NOTES: A-1 Open Wire Secondary

GLRA		Ga Lineman Rodeo Assoc.	
REVISED	SCALE	BY	
01/20/2020	NONE	CLT	

APPRENTICE EVENT #3

2023

MYSTERY EVENT

All information on Mystery Event will be picked up at time of Registration

APPRENTICE EVENT #4

2023

MYSTERY EVENT

All information on Mystery Event will be picked up at time of Registration

2023 Georgia Lineman's Rodeo Event Questions

Please submit all event questions directly to the Georgia Lineman's Rodeo Association using the contact information below. ALL QUESTIONS MUST BE SUBMITTED VIA EMAIL. **NO QUESTIONS WILL BE ANSWERED BY PHONE.** Do not forget to include your contact info.

Bobby Fincher, Events Committee Chair: bfincher@ssemc.com

GLRA Events Committee Members

Tony Jordan

Blake Manning, Crisp County Power

Wayne Connell, Jackson EMC

Les Wilson, Marietta Power

Nick Pandolfi – Flint Energy

Patrick LeCroy – Greystone Power

Calvin Vallee - ECOG

- **Please have ALL questions submitted before Friday, April 28, 2023. Questions submitted after this date will not be answered.**



2023 Georgia Lineman's Rodeo
Camp John Hope (FFA), Fort Valley, GA
May 6, 2023

TEAM ENTRY FORM

Registration Fee: \$400 – In State | \$500 – Out of State

Registration Deadline: Friday, April 14, 2023

Each Team is required to provide One Judge per team for the rodeo.

Utility Name: _____ Contact: _____

Address: _____ City: _____ State: _____ Zip: _____

Division: Municipal EMC

Please email completed form to Charles Mathis at Charlesmmathis@bellsouth.net or fax it to 706.547.5051

NOTE: You must submit payment via the website after sending your form. Garodeo.com

Journeyman #1	
Name:	T-Shirt Size:
Signature:	
Journeyman #2	
Name:	T-Shirt Size:
Signature:	
Groundman	
Name:	T-Shirt Size:
Signature:	
Alternate	
Name:	
Signature:	
Rodeo Coach's Name:	
Phone Number:	Email:

I understand that all hooks, belts, and hand tools furnished by me will be in a safe operating condition. Participants are responsible for their own transportation, hotel, and meal expenses in route and during the Rodeo. Participants will be required to sign a liability release before participating in the Rodeo; releasing the Rodeo sponsors and their employer from any liability should an injury occur during the Rodeo.



2023 Georgia Lineman's Rodeo
Camp John Hope (FFA), Fort Valley, GA
May 6, 2023

APPRENTICE ENTRY FORM

Registration Fee: \$175 – In State | \$225 – Out of State

Registration Deadline: Friday, April 14, 2023

****If a utility sends multiple apprentices, One Judge is required for every three apprentices competing.****

Utility Name: _____ Contact: _____

Address: _____ City: _____ State: _____ Zip: _____

Division: Municipal EMC

Please email this form to Charles Mathis at Charlesmmathis@bellsouth.net or fax it to 706.547.5051

NOTE: You must submit payment via the website after sending your form. Garodeo.com

Apprentice	
Name:	T-Shirt Size:
Signature:	
Name of your Rodeo Coach:	
Coach's Phone Number:	
Coach's E-mail Address:	
Utility Contact Person:	

I understand that all hooks, belts, and hand tools furnished by me will be in a safe operating condition. Participants are responsible for their own transportation, hotel, and meal expenses in route and during the Rodeo. Participants will be required to sign a liability release before participating in the Rodeo; releasing the Rodeo sponsors and their employer from any liability should an injury occur during the Rodeo.



2023 Georgia Lineman's Rodeo
Camp John Hope (FFA), Fort Valley, GA | May 6, 2023

JUDGE'S REGISTRATION FORM

Registration Deadline: Friday, April 14, 2023

One Judge is required for every 3 apprentices competing and One Judge is required for each team competing.

Judges should handle their own accommodations.

Utility Name: _____ Contact: _____

Address: _____ City: _____ State: _____ Zip: _____

Judges:

1. Please email this form to Charles Mathis at Charlesmmathis@bellsouth.net or fax it to 706.547.5051

Name: _____ Title: _____

Event judge in Prior Rodeos: _____

Event Preferred: _____

Phone: _____ Fax: _____ Shirt Size: _____

Email: _____

What type of line experience do you have? _____

2.

Name: _____ Title: _____

Event judge in Prior Rodeos: _____

Event Preferred: _____

Phone: _____ Fax: _____ Shirt Size: _____

Email: _____

What type of line experience do you have? _____

3.

Name: _____ Title: _____

Event judge in Prior Rodeos: _____

Event Preferred: _____

Phone: _____ Fax: _____ Shirt Size: _____

Email: _____

What type of line experience do you have? _____



2023 Georgia Lineman's Rodeo
Camp John Hope (FFA), Fort Valley, GA
May 6, 2023

BANQUET TICKET ORDER FORM

Please use this form if you would like to purchase Banquet Tickets. One Banquet ticket is included for Teams and Apprentices and Judges.

Please email this form to Charles Mathis at Charlesmmathis@bellsouth.net or fax it to 706.547.5051

NOTE: You must submit payment via the website after sending your form. Garodeo.com

Banquet Tickets

Adult Ticket _____ \$35.00 \$ _____

Child's Ticket _____ \$20.00 \$ _____

TOTAL ENCLOSED \$ _____

Tickets can be picked up at the registration table on Friday, May 6th between 10:00am – 2:00pm.

Please provide the name of the person who will be picking up the order:

Name: _____ Utility: _____

Phone: _____ Email: _____



2023 Georgia Lineman's Rodeo
Camp John Hope (FFA), Fort Valley, GA
May 6, 2023

RODEO T-SHIRT ORDER FORM

Please use this form if you would like to purchase rodeo gear. Shirts are included for Teams and Apprentices.

Please email this form to Charles Mathis at Charlesmmathis@bellsouth.net or fax it to 706.547.5051

NOTE: You must submit payment via the website after sending your form. Garodeo.com

SHORT SLEEVE

LONG SLEEVE

Small	_____	\$15.00	\$ _____
Medium	_____	\$15.00	\$ _____
Large	_____	\$15.00	\$ _____
XL	_____	\$15.00	\$ _____
2 XL	_____	\$17.00	\$ _____
3 XL	_____	\$17.00	\$ _____
4 XL	_____	\$17.00	\$ _____

Small	_____	\$20.00	\$ _____
Medium	_____	\$20.00	\$ _____
Large	_____	\$20.00	\$ _____
XL	_____	\$20.00	\$ _____
2 XL	_____	\$23.00	\$ _____
3 XL	_____	\$23.00	\$ _____
4 XL	_____	\$23.00	\$ _____

CHILDREN SHIRTS (SHORT SLEEVE ONLY)

HATS

Youth Small	_____	\$12.00	\$ _____
Youth Medium	_____	\$12.00	\$ _____
Youth Large	_____	\$12.00	\$ _____

One Size _____ \$12.00 \$ _____

TOTAL ENCLOSED \$ _____

Orders can be picked up at the registration table on Friday, May 6th between 10:00am – 2:00pm.
Please provide the name of the person who will be picking up the order:

Name: _____ Utility: _____

Phone: _____ Email: _____

AGENDA

2023 GEORGIA LINEMAN'S RODEO



THURSDAY, MAY 4

4:00 pm

CHIEF JUDGES' MEETING

(MANDATORY)

SATURDAY, MAY 6

8:00 am

OPENING CEREMONY

8:30 am

2023 GLRA RODEO COMPETITION

8:30 am

OUTDOOR VENDOR EXPO

**AWARDS WILL BE DISTRIBUTED AT
THE RODEO BANQUET ON
SATURDAY EVENING**

FRIDAY, MAY 5

10:00 am – 12:00 pm

JUDGES' MEETING (MANDATORY)

Judges will receive their assignments & official shirts

10:00am – 2:00pm

VENDOR EXPO

Come check out the latest products and services.

10:00am – 2:00pm

RODEO REGISTRATION & SALES

Registration for apprentices, teams, and greeters.

THANK YOU 2022 SPONSORS!

MATERIAL SPONSORS



AWARDS BANQUET SPONSOR



PLATINUM SPONSORS



Northwest Lineman College





2023 Georgia Lineman's Rodeo
Camp John Hope (FFA), Fort Valley, GA
May 6, 2023

SPONSORSHIP OPPORTUNITIES

PLATINUM EVENT SPONSOR

JUNIOR LINEMAN SPONSOR

Limited to one sponsor.

\$1,000

\$1,000

Benefits

Benefits

- Sponsor's name on event trophies & plaques
- Sponsor's name displayed on event tent during rodeo
- Logo and web link on all Rodeo pages on www.GARodeo.com
- Logo in the 2023 Sponsorship Packet
- Exhibit space at the Indoor/Outdoor Vendor Expo
- Premium exhibit space at the Outdoor Vendor Expo (Rodeo Field)
- Recognition from the stage at the Awards Banquet

- Sponsor's name displayed on event tent during rodeo
- Sponsor name on all Rodeo pages on www.GARodeo.com
- Logo in the 2023 Sponsorship Packet
- Exhibit space at the Indoor/Outdoor Vendor Expo
- Exhibit space at the Outdoor Vendor Expo (Rodeo Field)
- Recognition from the stage at the Awards Banquet

SPONSORSHIP QUESTIONS:

Kathy Ivie, GLRA

770.266.2332

kivie@waltonemc.com



GOLD SPONSOR

\$500

Benefits

- Sponsor name on all Rodeo pages on www.GARodeo.com
- Exhibit space at the Indoor/Outdoor Vendor Expo
- Exhibit space at the Outdoor Vendor Expo (Rodeo Field)

SILVER SPONSOR

\$250

Benefits

- Sponsor name on all Rodeo pages on www.GARodeo.com

SPONSORSHIP QUESTIONS:

Kathy Ivie, GLRA

770.266.2332

kivie@waltonemc.com

SPONSORSHIP FORM

2023 GEORGIA LINEMAN'S RODEO

May 6, 2023 | CAMP JOHN HOPE, FFA



Company

Contact Name

Title

Address

City

State

Zip

Phone

Email

Website

REGISTRATION DEADLINE IS APRIL 14, 2023

SPONSORSHIP LEVEL

- Platinum Event Sponsor \$1,000
- Junior Lineman Sponsor \$1,000
- Gold Sponsor \$500
- Silver Sponsor \$250

Will Exhibit On:

_____ Friday

_____ Saturday

_____ Friday & Saturday

If you're paying via credit card, please email (cmathis@jec.coop) the completed sponsor form or fax to 706.547.5051. Please visit garodeo.com for payment.

If you're paying via check, please email (Charlesmmathis@bellsouth.net) the completed sponsor form or fax to 706.547.5051 and mail a copy of it with your payment to GLRA | 6077 Middleground Road | Louisville, GA 30434

Payment Methods

- Enclosed is a check payable to **Georgia Lineman's Rodeo Association**
- I am paying via credit card

QUESTIONS? Kathy Ivie | kivie@waltonemc.com | 770.266.2332